

ENGINE

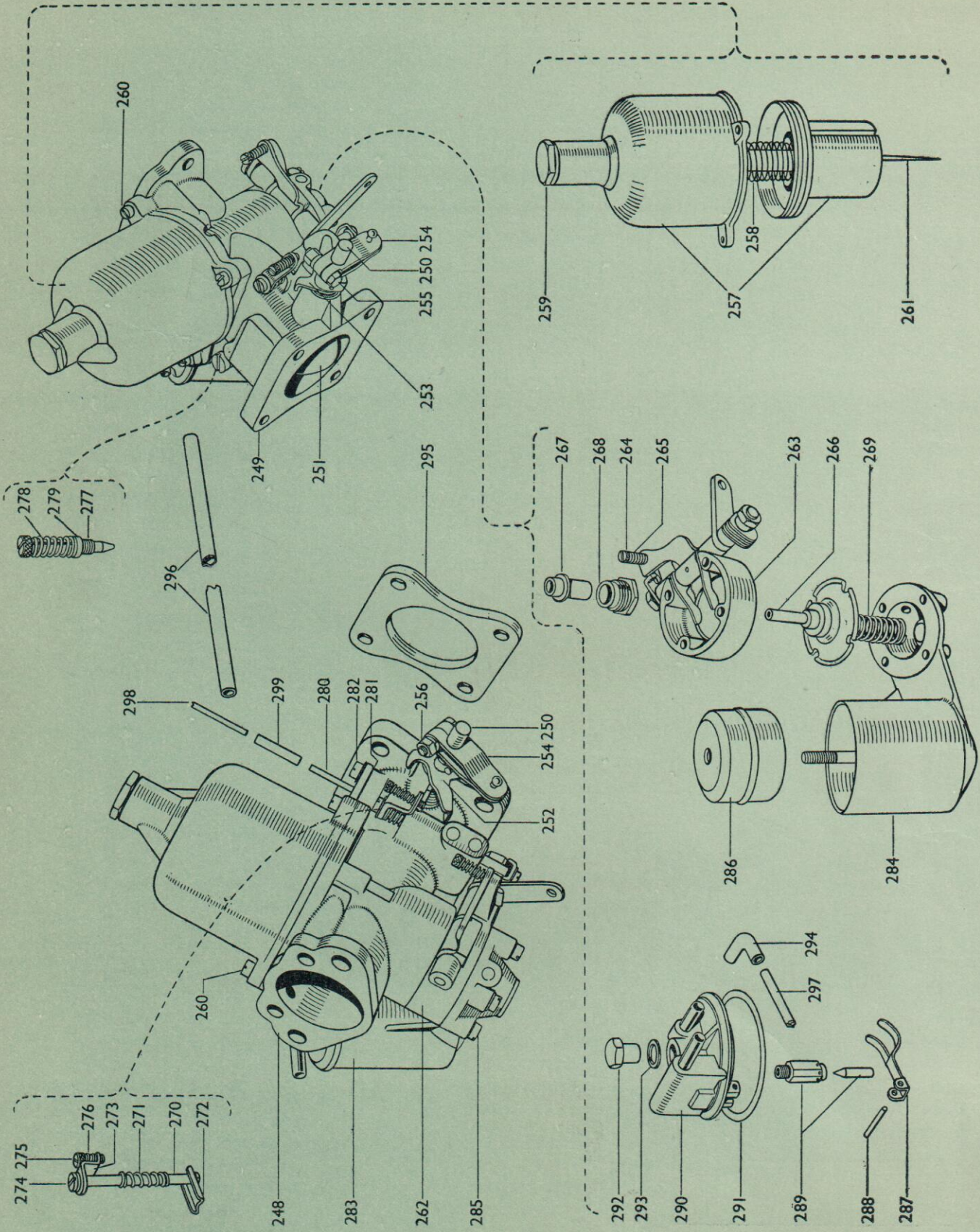


Illustration Reference Nos. 248 - 299